

## List of Drawings

No. of Copies	Drawing No.	Date	Description
1 each	1	4/5/95	Elevator No. 1 - Details
	2	4/5/95	Elevator No. 2 - Details
	3	4/5/95	Elevator No. 3 - Details
	4 Rev. B	7/31/95	Elevators No. 1 thru 3 Sections
	5	4/5/95	Elevators No. 4, 5 & 8 - Hoistway Plan
	6	4/5/95	Elevators No. 4, 5 & 8 - Machine Room
	7	4/5/95	Elevators No. 4 & 5 - Sections
	8	4/5/95	Elevator No. 8 - Section
	9	4/5/95	Elevators No. 6, 7 & 9 - Hoistway Plan
	10	4/5/95	Elevators No. 6, 7 & 9 - Machine Room
	11	4/5/95	Elevators No. 6 & 7 - Sections
	12	4/5/95	Elevator No. 9 - Section
	13 Rev. C	6/5/95	Escalators No. 1 to 3 - wellway Plan
	14 Rev. B	6/5/95	Escalators No. 1 to 3 - Section
	15 Rev. C	6/5/95	Escalators No. 4 to 9 - Wellway Plan Two Step Arrangement
	15A Rev. B	6/5/95	Escalators No. 4 to 9 - Wellway Plan Three Step Arrangement
	16 Rev. D	7/31/95	Escalators No. 10 to 12 - Wellway Plan - Two Step Arrangement
	16A Rev. D	8/17/95	Escalators No. 10 to 12 - Wellway Plan - Three Step Arrangement
	17 Rev. C	7/31/95	Escalators No. 4 to 12 - Section - Two Step Arrangement
	17A Rev. C	8/17/95	Escalators No. 10 to 12 - Section - Three Step Arrangement
	18	5/31/95	Escalator Exterior Details
	19 Rev. B	4/5/95	Bi-Parting Door Details

## ELEVATORS AND ESCALATORS



**Hawai'i Convention Center** Honolulu, HI

NORDIC / PCL  
A Joint Venture  
Honolulu, HI

Wimberly Allison Tong & Goo, Inc.  
in association with  
Loschky Marquardt & Nesholm

Job No. 93036.02.9

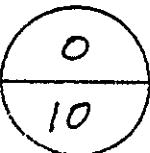
Drawn/Chk'd \_\_\_\_\_

Date 12-15-95

Revisions \_\_\_\_\_

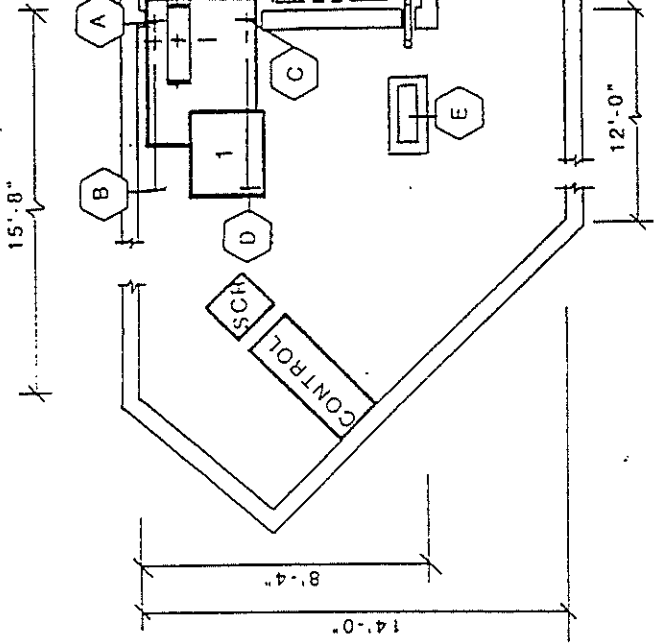
This work was prepared by me or under my supervision and construction of this project will be under my observation.

Signature as shown in 7. A Check is better than 10. If the Name and Signature are those of Professional Engineer, Architect, and Surveyor of the State of Hawaii.



LADDER, LIGHT, TIGHT SW. & RECEPTACLE BY GC

SERVES EXHIBIT HALL, ADMINISTRATION, MEZZ. AREA, PARKING, MEETING AND BALLROOM LEVELS



MACHINE ROOM PLAN @ BALLROOM/TERRACE LEVEL

GUIDE RAIL LOADS IN KIPS		
	SAFETY	LOAD & RUN SEISMIC
F1	.5	.5
F2	---	.2
F3	19.2	---

GUIDE RAIL LOADS SHALL BE CAPABLE OF RESISTING FORCES SHOWN WITH A MAXIMUM DEFLECTION OF 1/8".

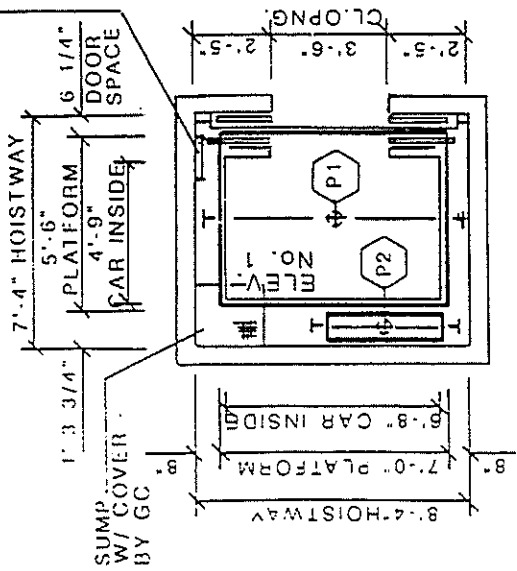
ELEVATOR No. 1 = 3000 LBS @ 200 FPM

Syska & Hennessy  
San Francisco, CA

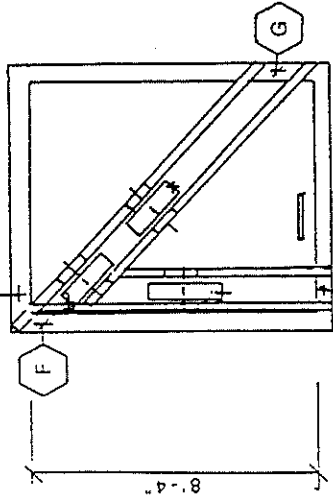
Project	HAWAII CONVENTION CENTER, HONOLULU, HI		
Drawn by	RJB	Date	4/5/95
Scale	N.T.S.	ELEV	★
PLUMB	SPR	Scale	N.T.S.
File #	ELEVATOR DETAILS		
Drawing no	1		

LOADS IN KIPS		
	IMPACT	STATIC
A	11.1	6.7
B	9.6	5.8
C	7.0	4.2
D	5.7	3.4
E	2.0	---
F	18.0	10.8
G	8.4	5.1
H	7.2	4.4
I	8.6	5.2
CONTROL	1.2	
SCR	1.0	

UPPULL



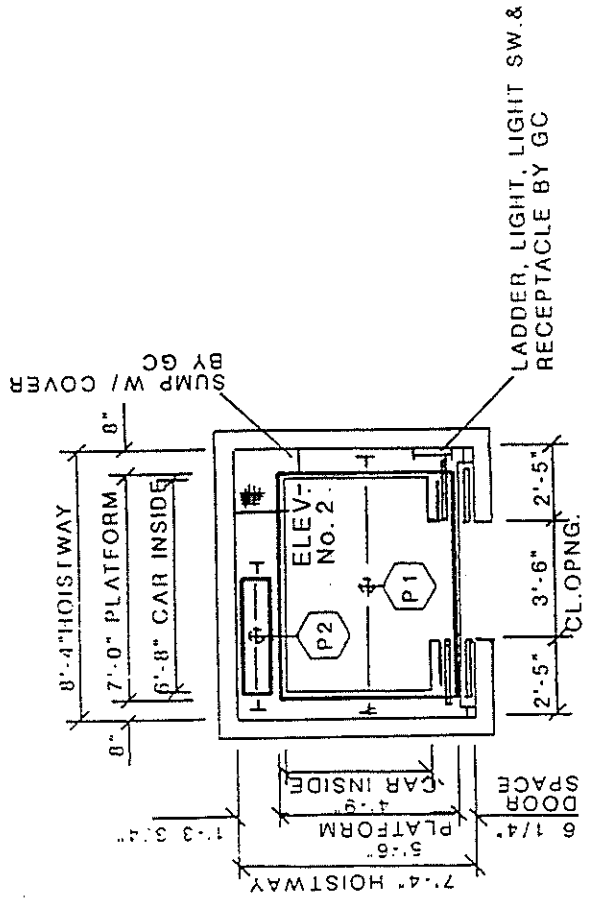
PLAN



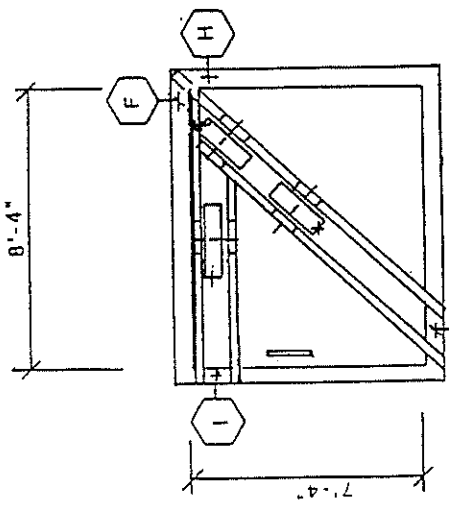
OVERHEAD PLAN

PIT LOAD	
IMPACT	...
P1	25.5
P2	19.8

SERVES: EXHIBIT HALL, PARKING, MEETING AND BALLROOM LEVELS



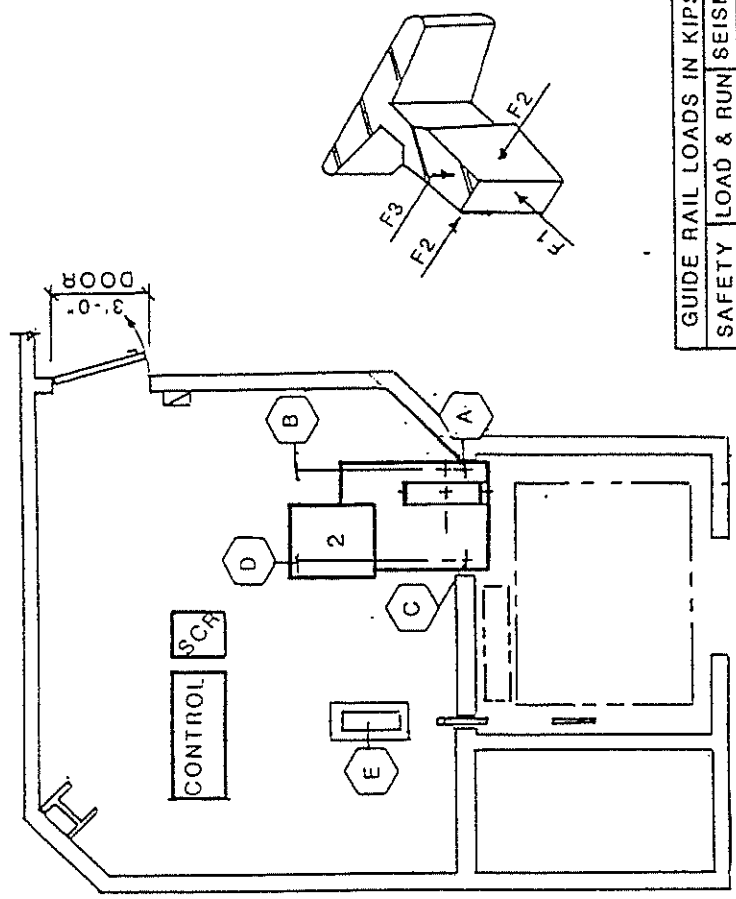
PLAN



OVERHEAD PLAN

PIT LOAD	
IMPACT	25.5
P1	19.8
P2	

	LOADS IN KIPS
A	11.1
B	9.6
C	7.0
D	5.7
E	2.0
F	18.0
G	8.4
H	7.2
I	8.6
CONTROL	1.2
SCR	1.0



MACHINE ROOM PLAN  
@ BALLROOM/TERRACE LEVEL

	GUIDE RAIL LOADS IN KIPS	
F1	.5	2.4
F2	.2	1.2
F3	19.2	

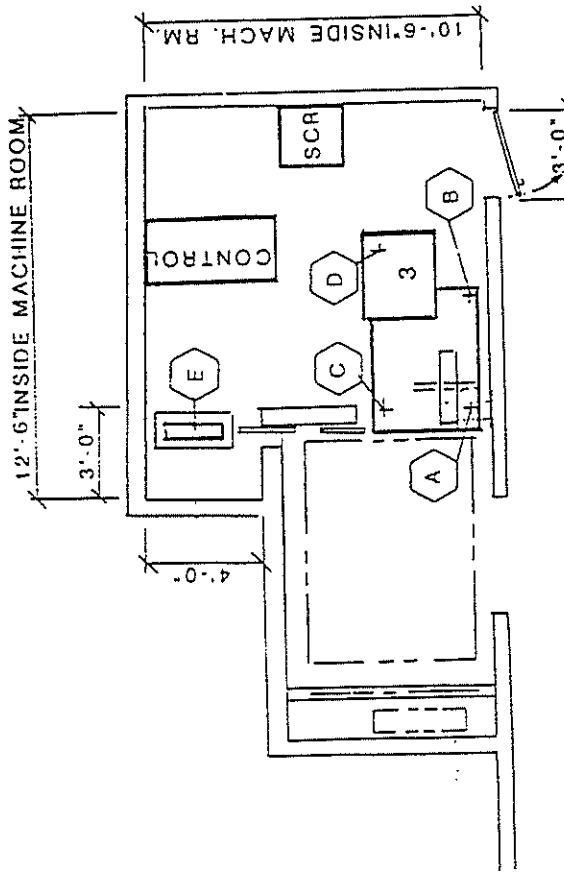
GUIDE RAIL LOADS SHALL BE CAPABLE OF RESISTING FORCES SHOWN WITH A MAXIMUM DEFLECTION OF 1/8".

ELEVATOR NO. 2 = 3000 LBS @ 200 FPM

Syska & Hennessy  
San Francisco, CA

Project		TRANSPORT SYSTEMS GROUP	
HAWAII CONVENTION CENTER	HONOLULU, HI	Drawn by	RJB
Title		ELEV Scale	N.T.S.
		DWG No	4/5/95
		Drawn by	RJB
		Scale	2

2/2

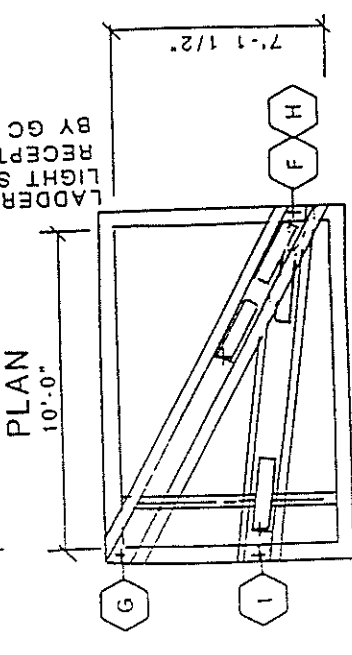
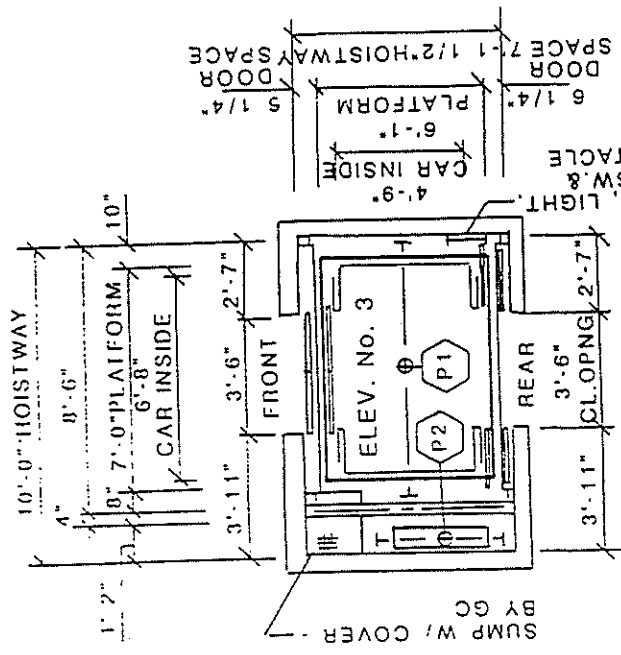
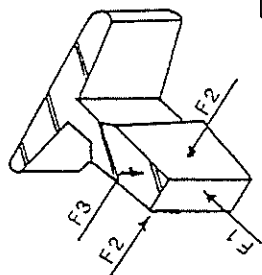


MACHINE ROOM  
@ EL. 7'-0"

	LOADS IN KIPS	
	IMPACT	STATIC
A	11.3	6.9
B	9.8	6.0
C	7.2	4.4
D	5.9	3.6
E	2.0	---
F	18.2	11.0
G	8.6	5.3
H	7.4	4.6
I	8.8	5.4
CONTROL		1.2
SCR		1.0

GUIDE RAIL LOADS IN KIPS		
	SAFETY	LOAD & RUN SEISMIC
F1	.6	2.5
F2	.3	1.3
F3	19.4	---

GUIDE RAIL LOADS SHALL BE CAPABLE OF RESISTING FORCES SHOWN WITH A MAXIMUM DEFLECTION OF 1/8".



OVERHEAD PLAN

PIT LOAD	
	IMPACT
P1	25.7
P2	20.0

SERVES:  
FRONT @ MEZZANINE, PARKING, MEETING AND BALLROOM LEVELS  
REAR @ EXHIBIT LEVEL

ELEVATOR No. 3 = 3000 LBS @ 200 FPM

Syska & Hennessy  
San Francisco, CA

TRANSPORT SYSTEMS GROUP

Project: HAWAII CONVENTION CENTER HONOLULU, HI  
Title: ELEVATOR DETAILS

Drawn by: RJB  
Date: 4/5/95  
Scale: N.T.S.

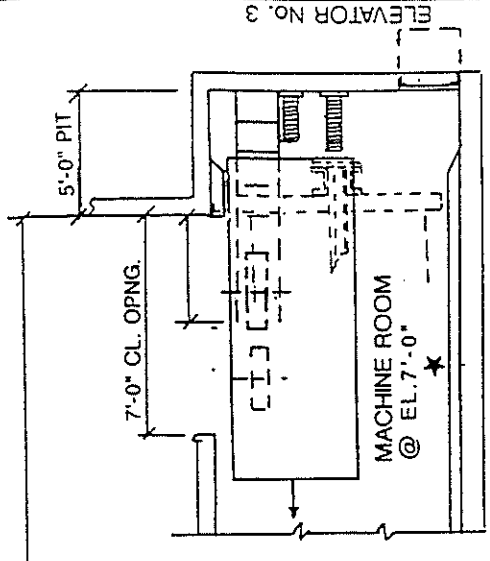
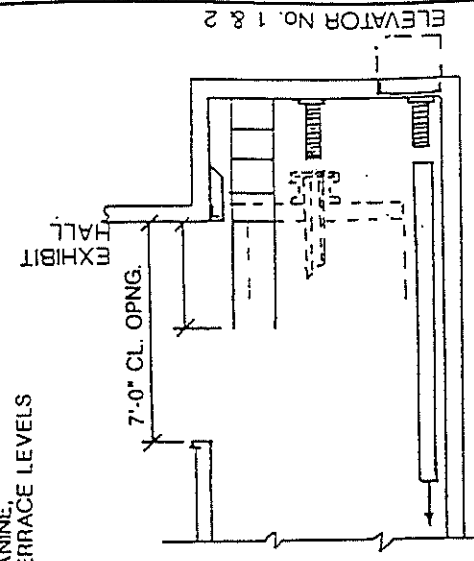
3

3/10

ELEVATOR No. 1 SERVES: EXHIBIT HALL, ADMINISTRATION, MEZZANINE, PARKING, MEETING AND BALLROOM/TERRACE LEVELS

ELEVATOR No 2 SERVES: EXHIBIT HALL, PARKING, MEETING AND BALLROOM/TERRACE LEVELS

Elev. No	RISE
1	71'-3"
2	70'-6 1/2"
3	73'-2"



MEETING ROOM

PARKING

MEZZANINE

REAR

ADMINISTRATION

FRONT

\* ELEVATOR CONTRACTOR TO FURNISH FASCIA WHERE ENTRANCES DO NOT OCCUR

**Syska & Hennessy**  
San Francisco, CA

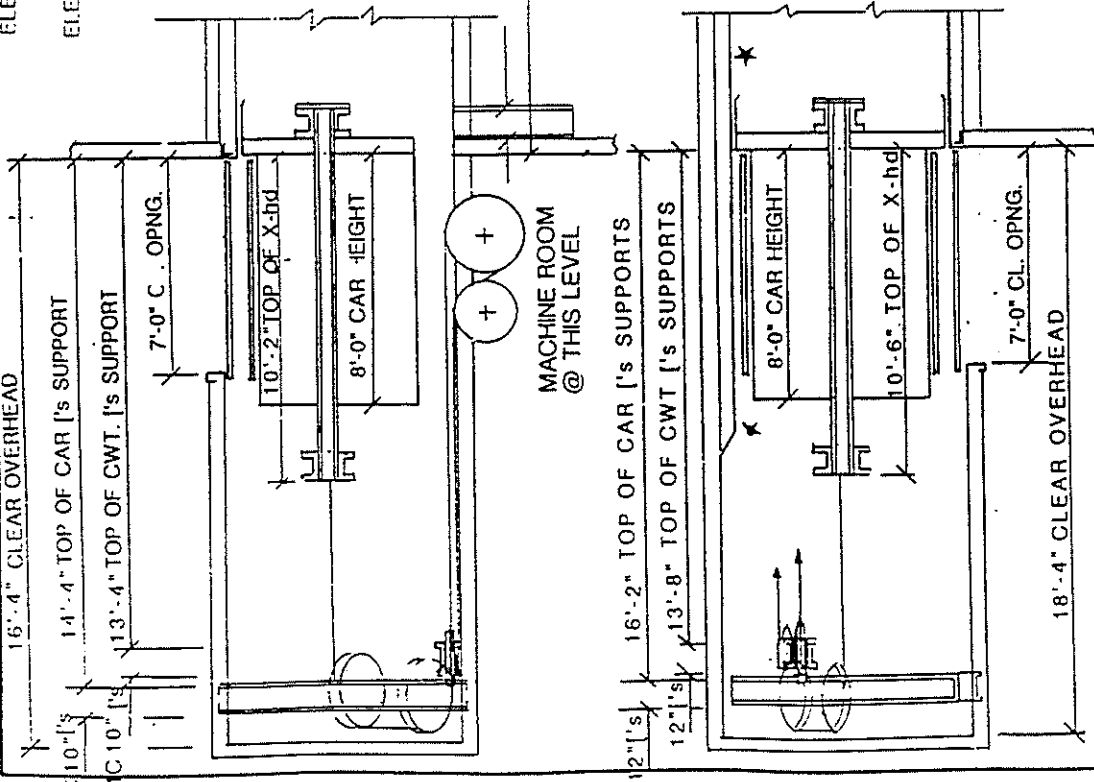
Project: HAWAII CONVENTION CENTER, HONOLULU, HI

TRANSPORT SYSTEMS GROUP

PM HVAC ELEC Date 4/5/95 Drawn by: RUB

FLUID SPR ELEV Scale N.T.S. Drawing no 4 REV. B

Title SECTIONS

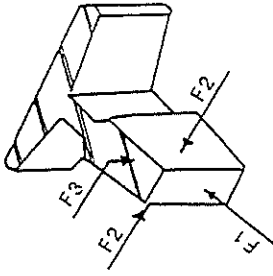


ELEVATOR No. 3 SERVES:  
FRONT @ MEZZANINE, PARKING, MEETING, AND BALLROOM/TERRACE LEVELS

REAR @ EXHIBIT HALL

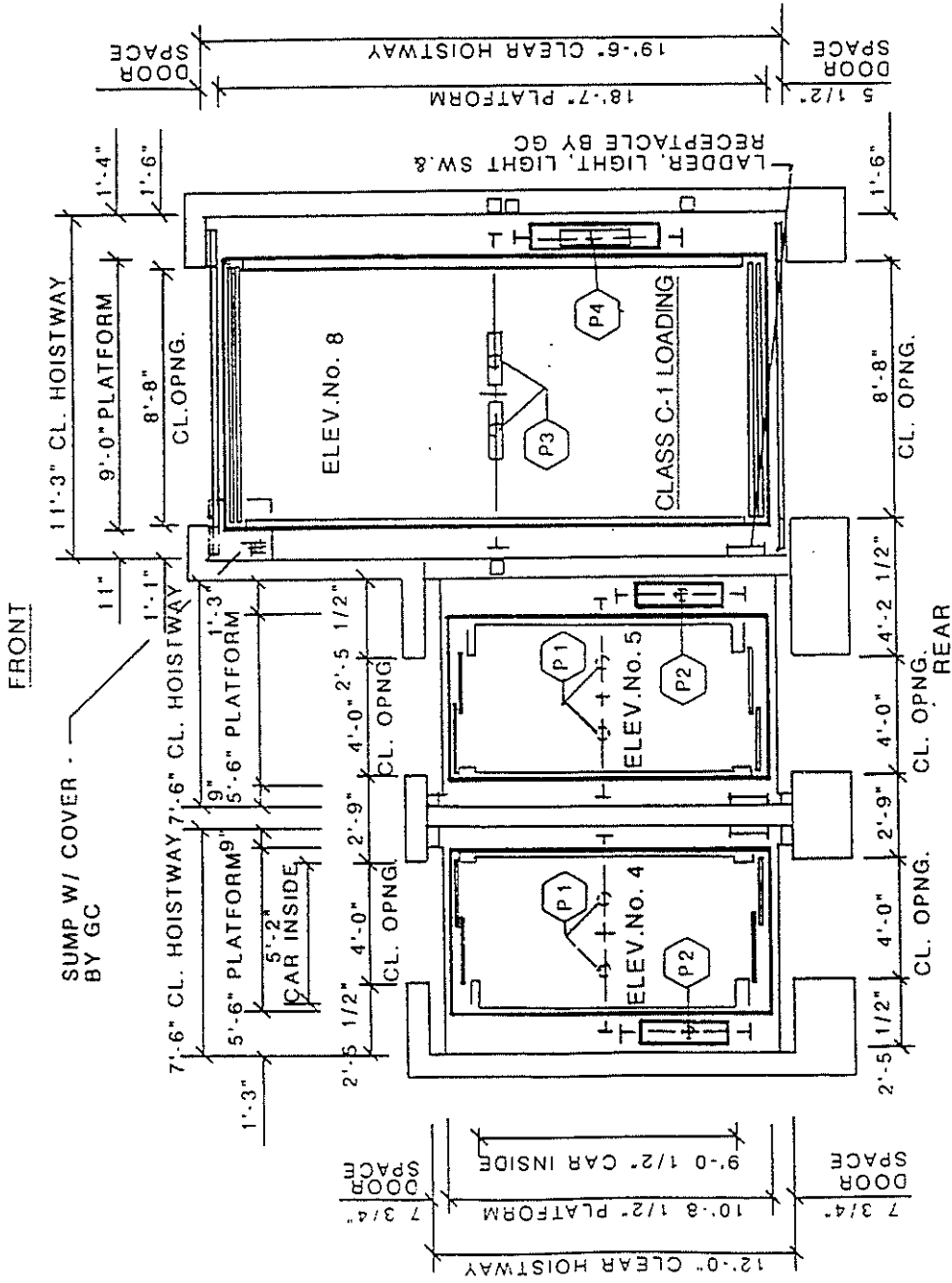
REV. A: 6/2/95 - REVISED ALL OVERHEAD DIMENSIONING, H-hd HEIGHTS & [s] SIZES. REV. B: 7/31/95 - ADDED RISE TABLE DIMENSION A

10/4



GUIDE RAIL LOADS IN KIPS			
	SAFETY	LOAD & RUN	SEISMIC
F1	.6	.6	2.8
F2	—	.5	1.4
F3	28.0	—	—
TOT. SERV.	F1	6.5	5.2
	F2	—	9.7/4.4
	F3	95.9	3.7

GUIDE RAIL SUPPORTS SHALL BE CAPABLE OF RESISTING FORCES SHOWN WITH A MAXIMUM DEFLECTION OF 1/8".



PIT LOADS	
	IMPACT
P1	37.0
P2	27.7
P3	62.5
P4	43.8

**PLAN**

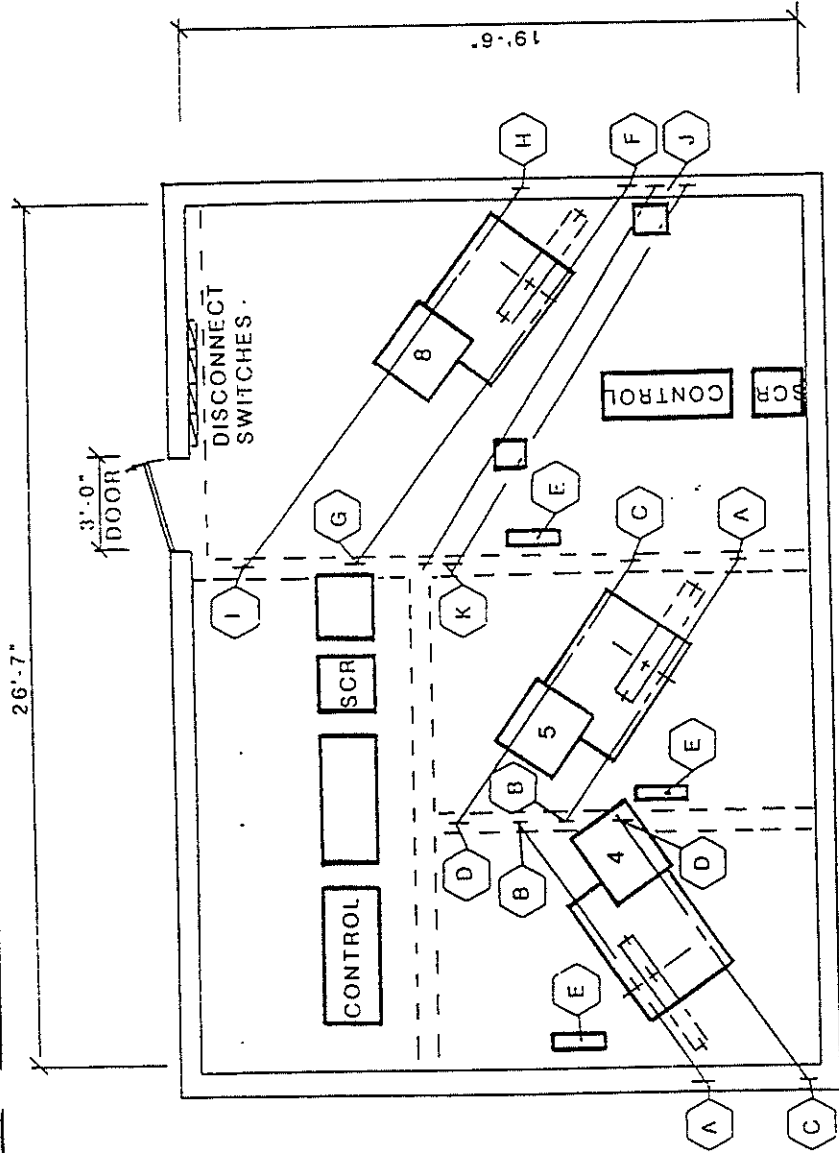
SERVICE ELEVATORS AND FREIGHT ELEVATOR SERVE:  
 FRONT @ PARKING, MEETING ROOM AND BALLROOM/TERRACE LEVELS  
 REAR @ EXHIBIT HALL (LOADING DOCK) AND MEZZANINE LEVELS

FREIGHT ELEVATOR = 10,000 LBS @ 200 FPM  
 SERVICE ELEVATORS = 4500 LBS @ 200 FPM

**Syska & Hennessy**  
San Francisco, CA

Project: HAWAII CONVENTION CENTER HONOLULU, HI		TRANSPORT SYSTEMS GROUP	
PM	INAC/ELEC	Date	Drawn by
		4/5/95	RJB
Title: HOISTWAY PLAN		ELEV Scale	N.T.S.
		ELEV Scale	★
		Drawing no 5	

0/0



LOADS IN KIP'S	
IMPACT	STATIC
A	19.0
B	16.5
C	12.9
D	6.9
E	2.0
F	40.2
G	20.8
H	14.9
I	11.4
J	19.8
K	21.2
CONTROL	
SCR	

MACHINE ROOM PLAN

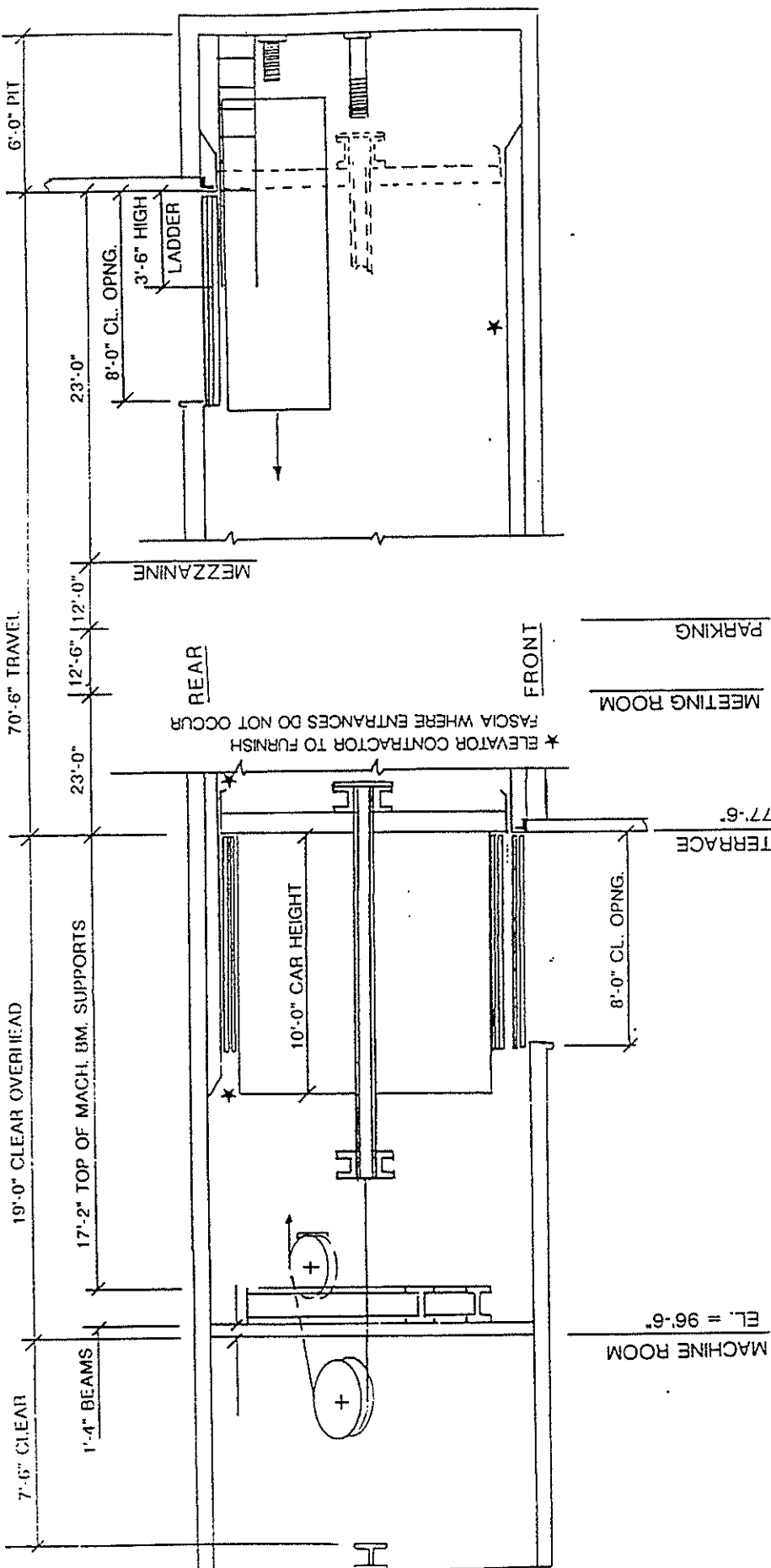
EL. = 96'-6"

FREIGHT ELEVATOR = 10,000 LBS @ 200 FPM  
 SERVICE ELEVATORS = 4,500LBS @ 200 FPM

**Syska & Hennessy**  
San Francisco, CA

Project		TRANSPORT SYSTEMS GROUP	
HAWAII CONVENTION CENTER	HONOLULU, HI	PLMB	SPR
Title		MACHINE ROOM PLAN	
HWAG	ELEC	Date	4/5/95
Drawn by		Scale	N.T.S.
		Drawing no	6

EXHIBIT HALL

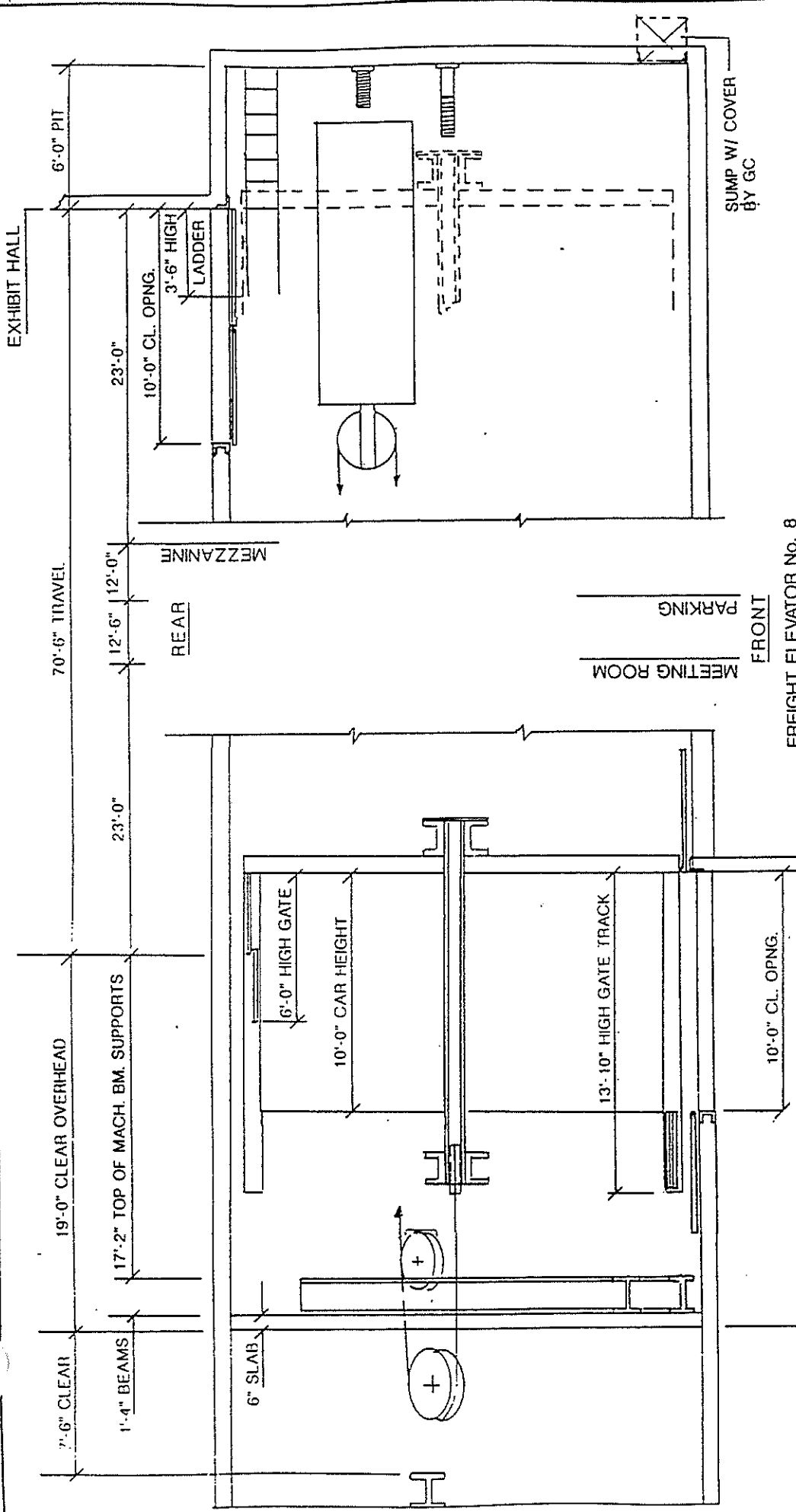


SERVICE ELEVATORS No. 4 & 5

Syska & Hennessy  
San Francisco, CA

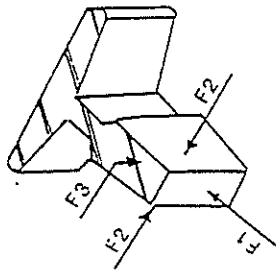
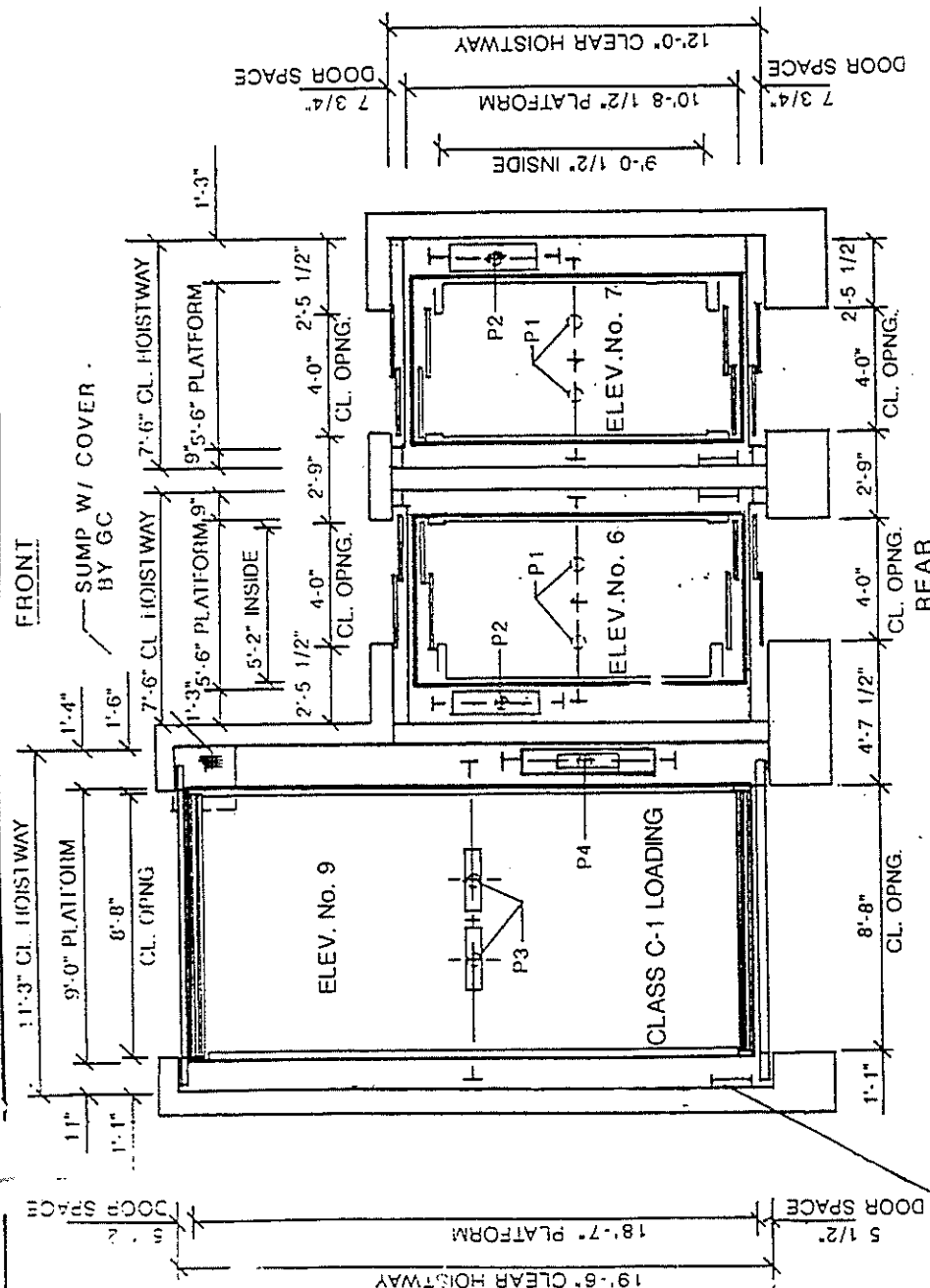
Project		TRANSPORT SYSTEMS GROUP	
HAWAII CONVENTION CENTER HONOLULU, HI		Drawn by	RJB
DATE	4/5/95	ELEV SCALE	N.T.S.
PLUMB SPR	*	DRWING NO	7





Project		Syaka & Hennessy San Francisco, CA	
HAWAII CONVENTION CENTER HONOLULU, HI		TRANSPORT SYSTEMS GROUP	
PLMB	SPR	ELEV	Scale
		★	N.T.S.
Title		SECTIONS	
PH	HWAC	ELEC	Date
			4/5/95
Drawn by		RJB	
Drawing no		8	

FREIGHT ELEVATOR No. 8



GUIDE RAIL LOADS IN KIPS			
SERV.	SAFETY	LOAD & RUN	SEISMIC
F1	.6	.6	2.8
F2	—	.5	1.4
F3	28.0	—	—
F1	6.5	5.2	7.4
F2	—	9.7/4.4	3.7
F3	95.9	—	—

GUIDE RAIL SUPPORTS SHALL BE CAPABLE OF RESISTING FORCES SHOWN WITH A MAXIMUM DEFLECTION OF 1/8".

**PLAN**

LADDER, LIGHT, LIGHT SW. & RECEPTACLE BY GC

SERVICE ELEVATORS AND FREIGHT ELEVATOR SERVE:

FRONT @ PARKING, MEETING ROOM AND BALLROOM/TERRACE LEVELS

REAR @ EXHIBIT HALL (LOADING DOCK) AND MEZZANINE LEVELS

PIT LOADS	
	IMPACT
P1	37.0
P2	27.7
P3	62.5
P4	43.8

FREIGHT ELEVATOR = 10,000LBS @ 200 FPM  
SERVICE ELEVATORS = 4500LBS @ 200 FPM

**Sykes & Hennessy**  
San Francisco, CA

---

Project: **HAWAII CONVENTION CENTER HONOLULU, HI**

TRANSPORT SYSTEMS GROUP

Drawn by: **RJB** Date: **4/15/95**

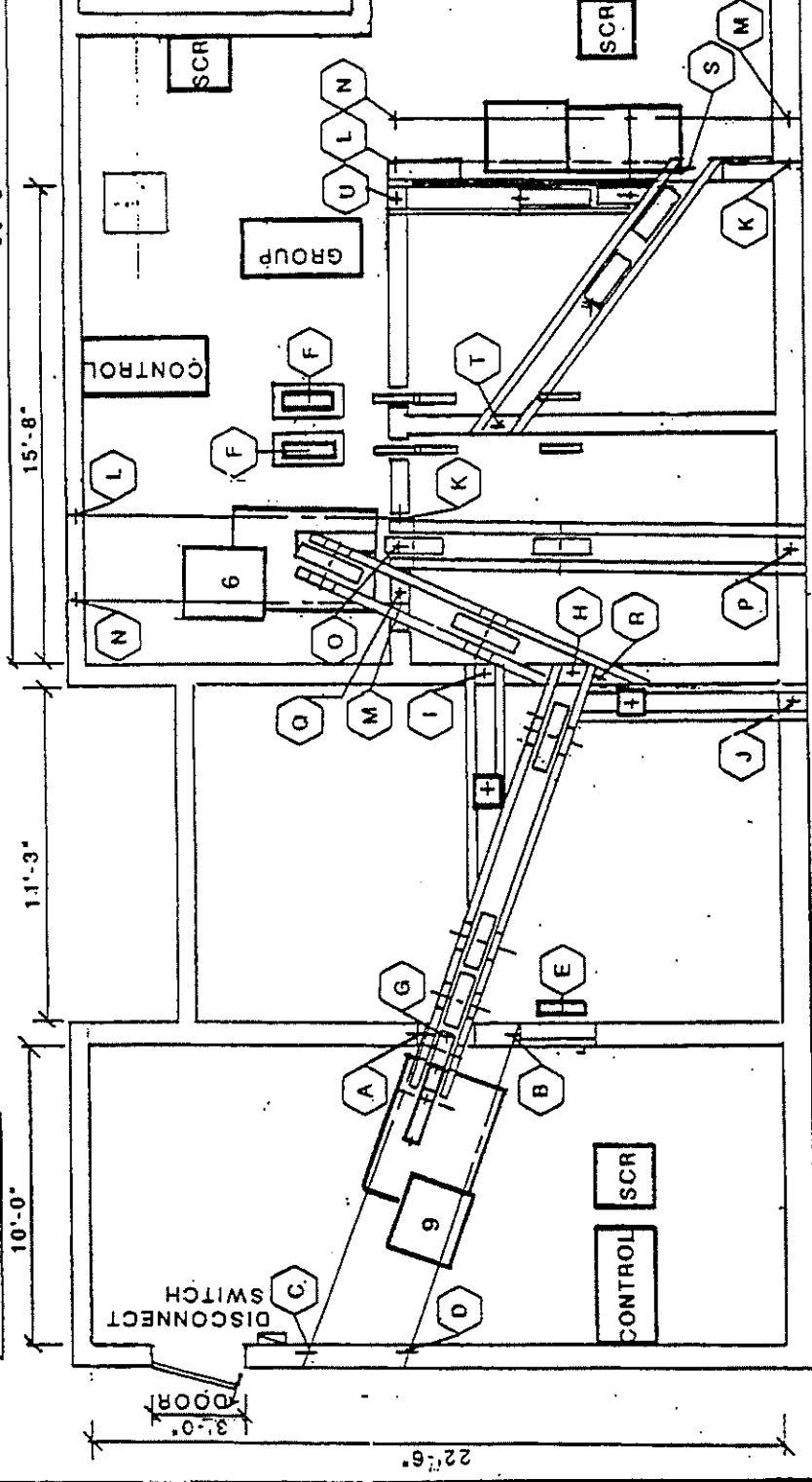
PLMB SPR ELEV Scale: **N.T.S.**

PLMB SPR ELEV Scale: **N.T.S.**

9

**LOADS IN KIPS**

IMPACT	A	25.4	C	13.7	E	2.2	G	51.1	I	9.8	K	15.9	M	8.6	O	27.3	Q	18.1	S	28.3	U	5.0
STATIC	B	15.3	D	8.3	F	—	H	30.7	J	5.9	L	9.6	N	5.2	P	16.4	R	10.9	T	17.0	V	3.0
IMPACT	B	18.5	D	11.0	F	2.0	H	33.1	J	13.5	L	11.7	N	6.9	P	7.6	R	1.2	T	4.8		
STATIC	B	11.1	D	6.6	F	—	H	19.9	J	8.1	L	7.1	N	4.2	P	4.6	R	1.0	T	2.9		



**MACHINE ROOM PLAN**

EL. = 87'-6"

FREIGHT ELEVATOR = 10,000 LBS @ 200 FPM  
 SERVICE ELEVATORS = 4,500 LBS @ 200 FPM

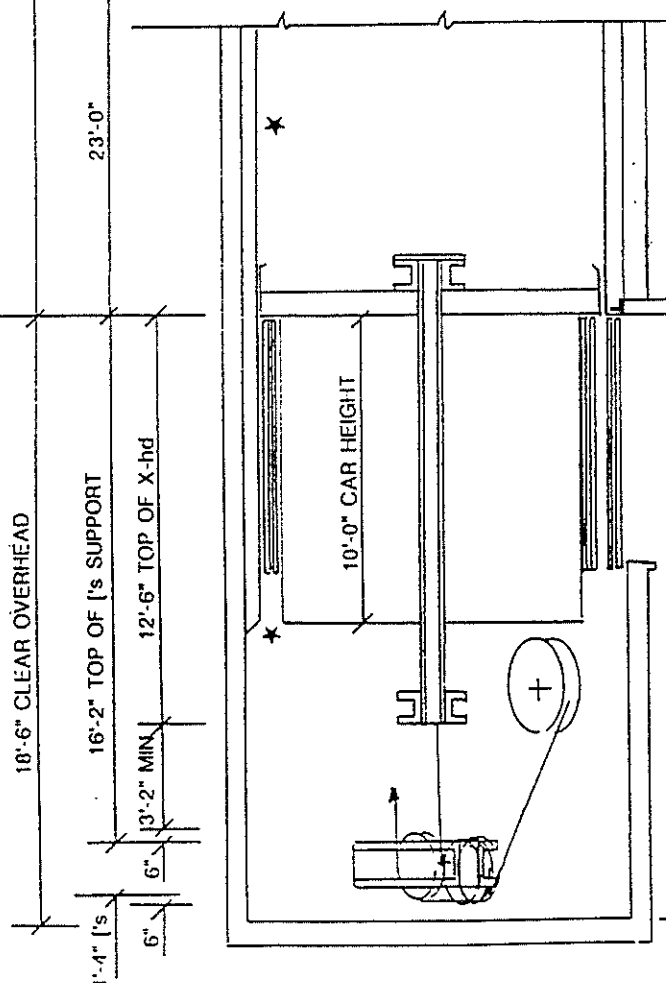
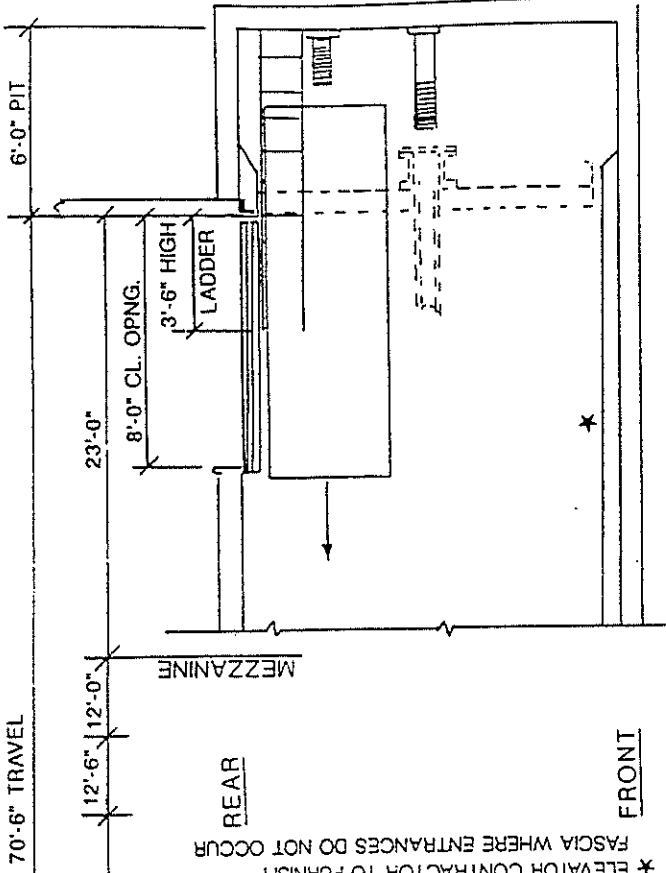
**Syska & Hennessy**  
San Francisco, CA.

Product	HAWAII CONVENTION CENTER HONOLULU, HI		Project	TRANSPORT SYSTEMS GROUP	
Rev	HWAC	ELEC	Date	Drawn by	Scale
10			4/5/95	RJB	NT.S.
REV. A	PLUMB	SPE			

REV. A: 11/27/95-REVISED MECHANICAL SHAFT LOCATION ARRANGEMENT OF EQUIPMENT

0/0

EXHIBIT HALL



\* ELEVATOR CONTRACTOR TO FURNISH FASCIA WHERE ENTRANCES DO NOT OCCUR

SERVICE ELEVATORS No. 6 & 7

Syska & Hennessy San Francisco, CA	
TRANSPORT SYSTEMS GROUP	
PM	Drawn by RJB
HVAC TELEC	Date 4/5/95
PLMB SPR	ELEV Scale N.T.S.
Drawing no 11	

Project  
 HAWAII CONVENTION CENTER  
 HONOLULU, HI

MACHINE ROOM  
 EL. = 87'-6"

BALLROOM/  
 TERRACE  
 EL. = 77'-6"

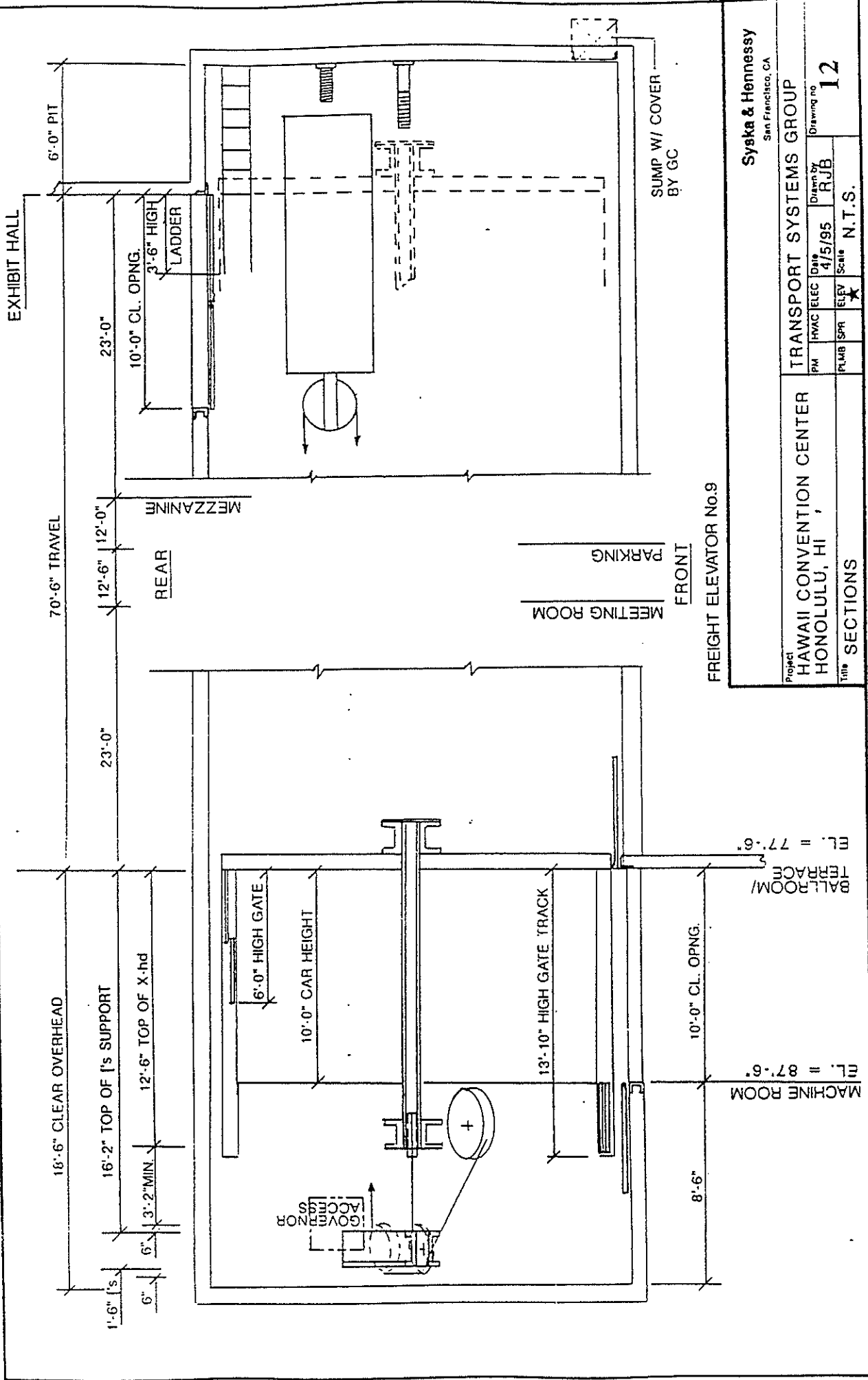


EXHIBIT HALL

6'-0" PIT

23'-0"

10'-0" CL. OPNG.

3'-6" HIGH LADDER

70'-6" TRAVEL

12'-6"

12'-0"

REAR

MEZZANINE

23'-0"

18'-6" CLEAR OVERHEAD

16'-2" TOP OF I'S SUPPORT

12'-6" TOP OF X-hd

3'-2" MIN

6"

6"

6'-0" HIGH GATE

10'-0" CAR HEIGHT

13'-10" HIGH GATE TRACK

10'-0" CL. OPNG.

8'-6"

GOVERNOR ACCESS

MEETING ROOM

PARKING

FRONT

FREIGHT ELEVATOR No.9

SUMP W/ COVER BY GC

MACHINE ROOM  
EL. = 87'-6"

BALL ROOM / TRAFFIC  
EL. = 77'-6"

Syska & Hennessy  
San Francisco, CA

TRANSPORT SYSTEMS GROUP

Project  
HAWAII CONVENTION CENTER  
HONOLULU, HI

Drawing no  
12

Drawn by  
RJB

Date  
4/5/95

ELEV Scale  
N.T.S.

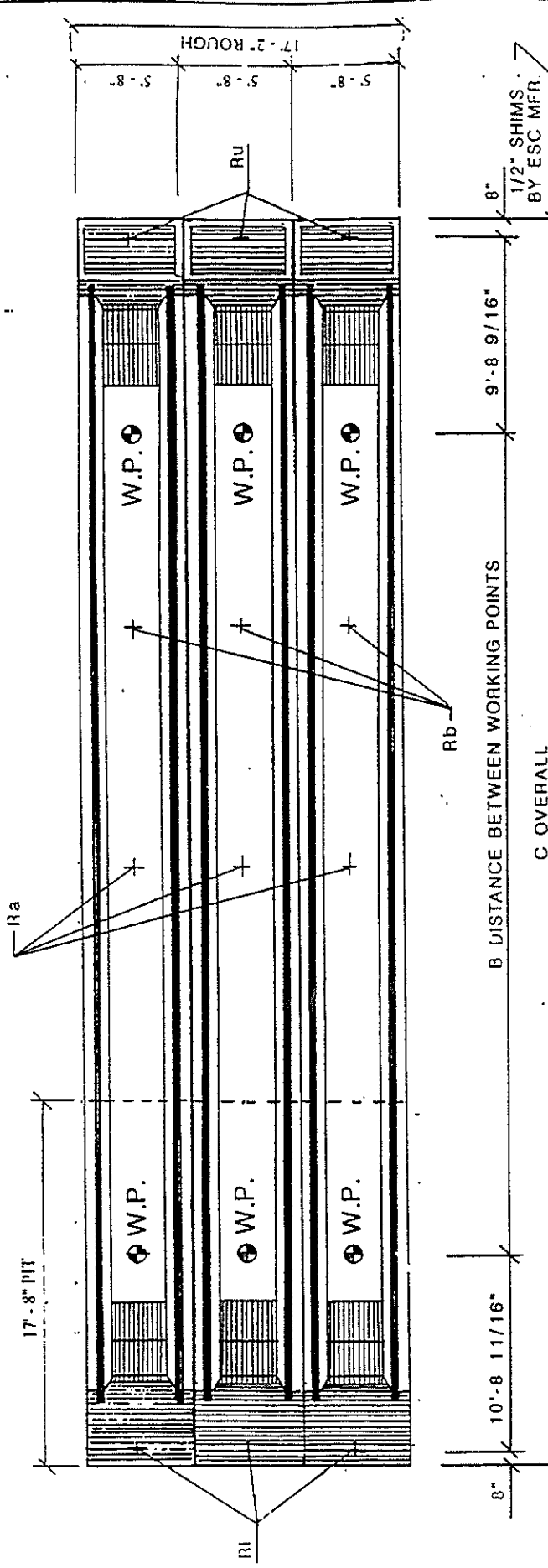
PLUMB SFR  
★

HVAC ELEC

PM

TITLE SECTIONS

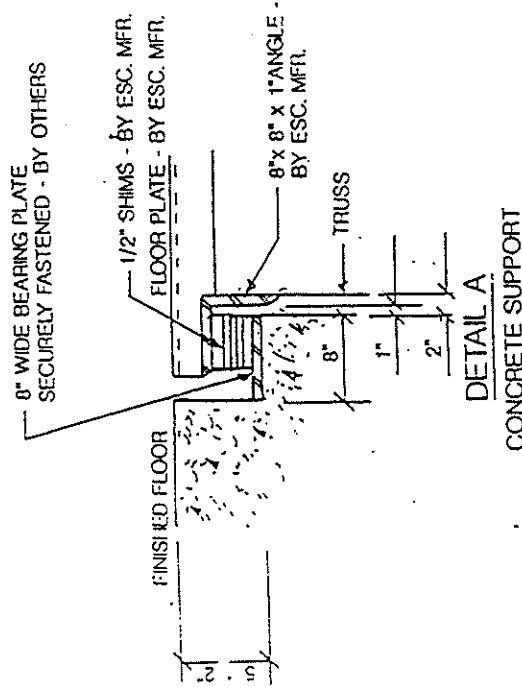
ESCALATORS No. 1 TO 3 SERVE: EXHIBIT HALL TO MEETING ROOM LEVEL



WELLWAY PLAN

ESC. No.	RISE	A	B	C
1 TO 3	47'-6"	82'-3 1/4"	104'-0 1/2"	

ESC. No.	RI	Ra	Rb	Ru
1 TO 3	9.0	28.8	31.1	11.4



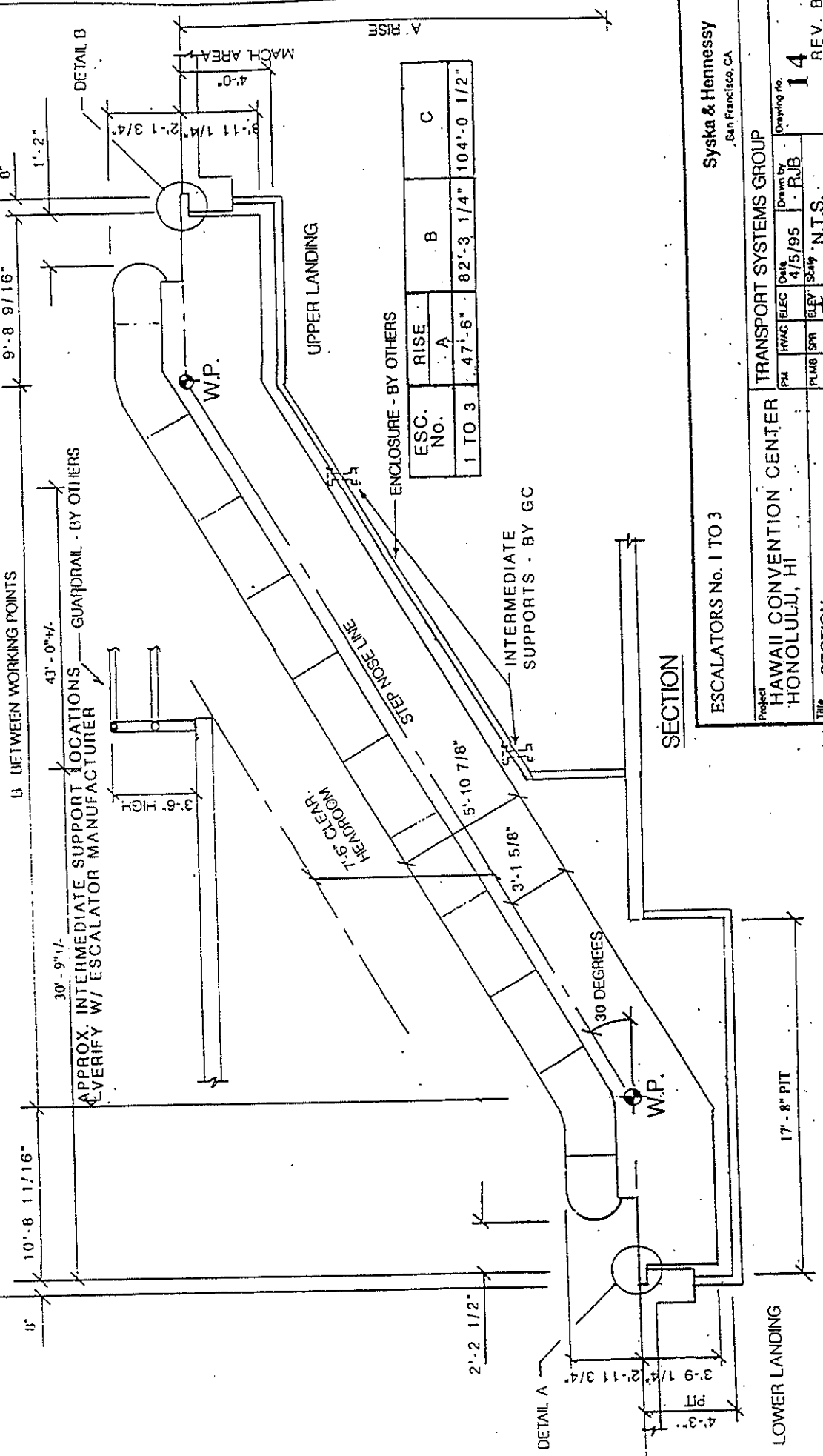
ESCALATORS No. 1 TO 3 = 48" WIDE @ 100 FPM

Syska & Hennessy  
San Francisco, CA

Project		TRANSPORT SYSTEMS GROUP	
HAWAII CONVENTION CENTER HONOLULU, HI		PM	Drawn by
RWAC/ELEC	Date	RUB	Drawing No.
4/5/95			13
PLMB/SPT	ELEV	Scale	REV. C
	★	N.T.S.	
Title		WELLWAY PLAN	

REV. A: 5/23/95 - BLDG. REDESIGN REV. B: 5/25/95 - REVISED WIDTH, ADDED ROUGH OPENING & REVISED REACTIONS  
REV. C: 6/5/95 - CORRECTED OVERALL LENGTH DIMENSION

C OVERALL



ESC. No.	RISE		
	A	B	C
1 TO 3	47'-6"	82'-3 1/4"	104'-0 1/2"

Project: HAWAII CONVENTION CENTER HONOLULU, HI

Escalators No. 1 TO 3

Client: TRANSPORT SYSTEMS GROUP

Contract No. 14

Rev. B

Contractor: Syska & Hennessy San Francisco, CA

Contract Date: 4/5/95

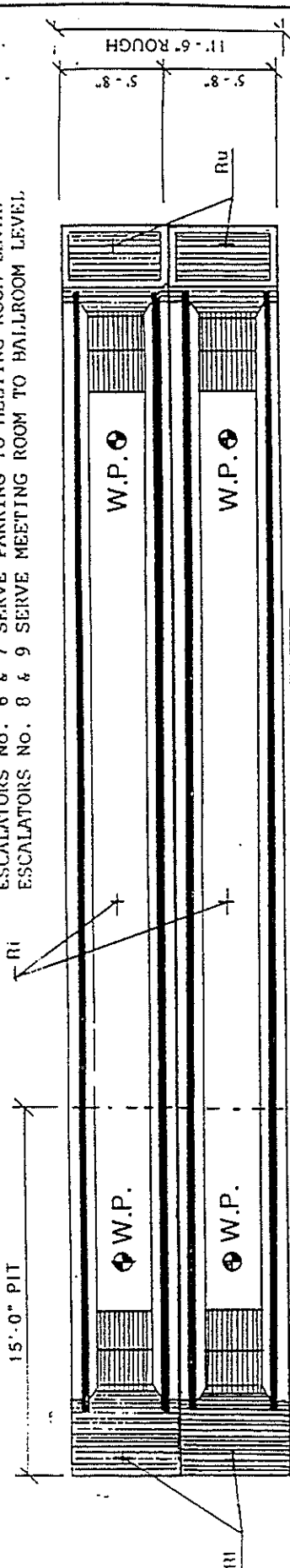
Contractor: RJB

Contract ELEV: 8249' N.T.S.

Contract Title: SECTION

REV. A: 5/23/95- BLDG. REDESIGN & RENUMBERED & REVISED INT. SUPP'T LOCATIONS REV. B: 6/5/95- CORRECTED OVERALL LENGTH DIMENSION

ESCALATORS No. 4 & 5 SERVE EXHIBIT HALL TO PARKING  
 ESCALATORS No. 6 & 7 SERVE PARKING TO MEETING ROOM LEVEL.  
 ESCALATORS No. 8 & 9 SERVE MEETING ROOM TO HALLROOM LEVEL.



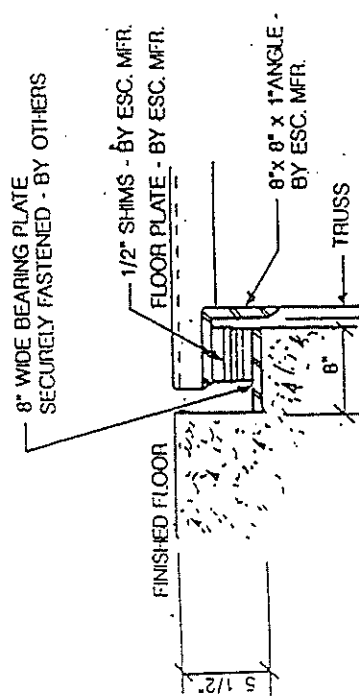
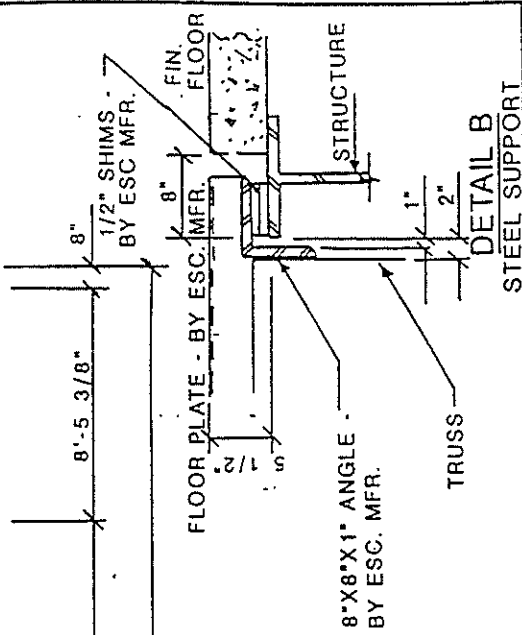
ESC. No.	REACTIONS - IN KIPS		
	Ri	Rj	Ru
4 & 5	13.4	47.6	35.9
6 & 7	19.9	---	21.0
8 & 9	10.5	37.1	28.0

B DISTANCE BETWEEN WORKING POINTS

C OVERALL

WELLWAY PLAN

ESC. No.	RISE		
	A	B	C
4 & 5	35'-0"	60'-7 1/2"	79'-9 5/8"
6 & 7	12'-6"	21'-7 7/8"	40'-10"
8 & 9	23'-0"	39'-10"	59'-0 1/8"



TWO STEP ARRANGEMENT

ESCALATORS No. 4 TO 9 = 48" WIDE @ 100 FPM

Syska & Hennessy  
 San Francisco, CA

Project: HAWAII CONVENTION CENTER HONOLULU, HI

Transport Systems Group

Drawing no

Drawn by RJB

Date 4/5/95

ELEV Scale

N.T.S.

15

REV. C

Title WELLWAY PLAN

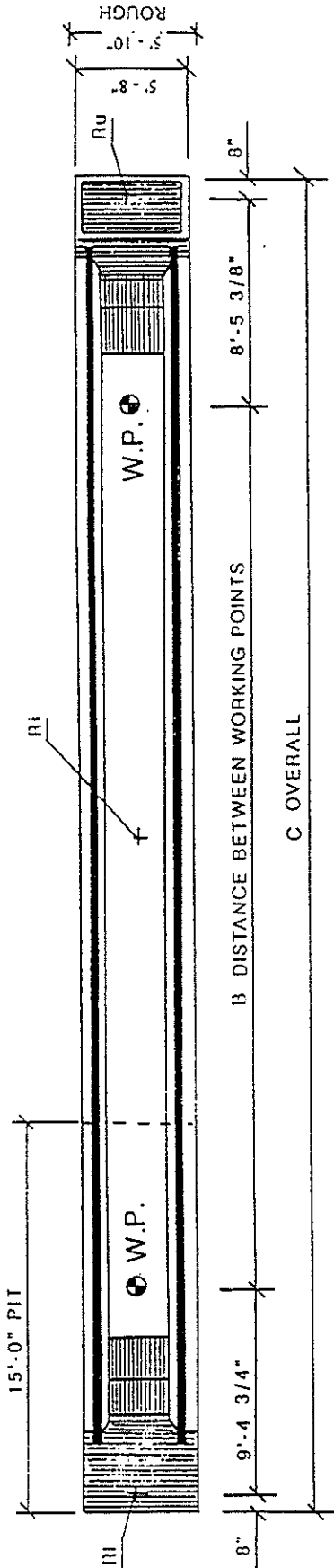
REV. A: 5/24/95 BLDG REDESIGN & RENUMBERED

REV. B: 5/25/95 - REVISED WIDTH, ADDED ROUGH OPENING

REV. C: 6/5/95 - CORRECTED OVERALL LENGTH DIMENSION



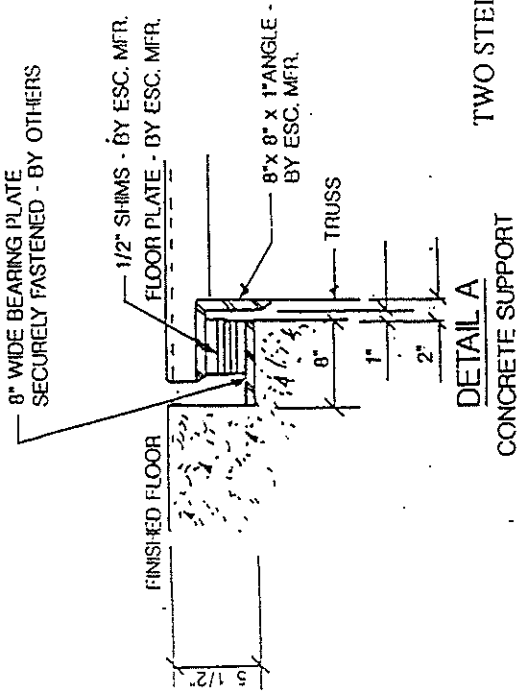




**WELLWAY PLAN**

ESCALATOR No. 10 SERVE MEETING ROOM TO BALLROOM LEVEL  
 ESCALATOR No. 11 SERVE PARKING TO MEETING ROOM LEVEL  
 ESCALATOR No. 12 SERVE INTERMEDIATE TO PARKING LEVEL

ESC No	REACTIONS - IN KIPS		
	Ri	Ri	Ru
10	10.5	37.1	28.0
11	21.3	---	22.4
12	9.0	32.1	24.3

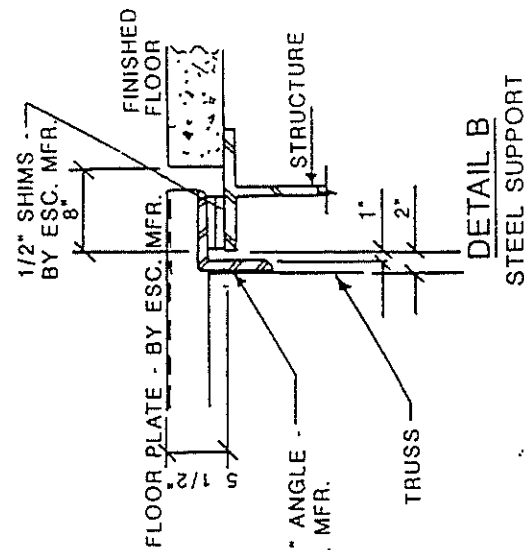


**DETAIL A**

CONCRETE SUPPORT

ESC. No.	RISE		
	A	B	C
10	23'-0"	39'-10"	59'-0 1/8"
11	13'-4 7/8"	23'-2 5/8"	42'-4 3/4"
12	17'-6"	30'-3 3/4"	49'-5 7/8"

**DETAIL B**

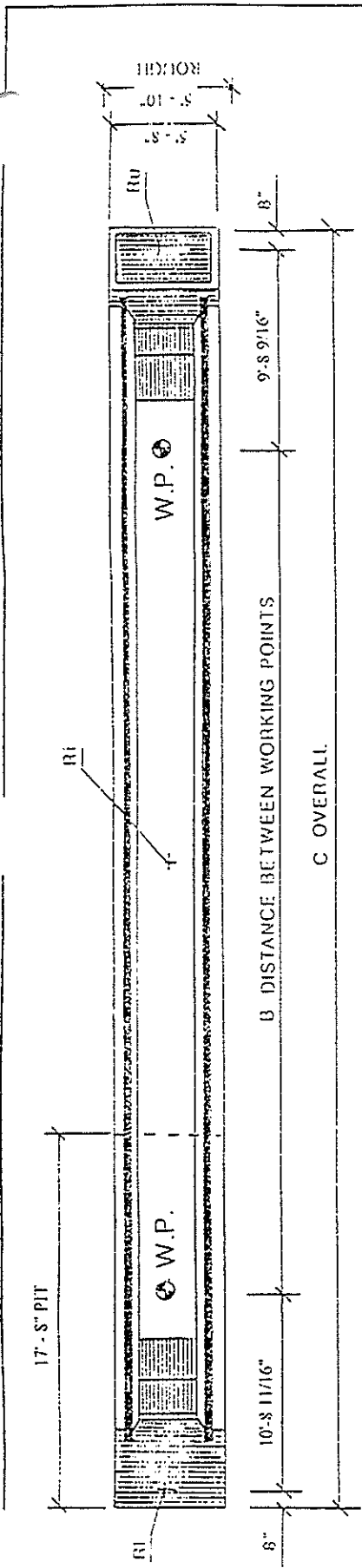


ESCALATORS No. 10 TO 12 = 48" WIDE @ 100 FPM Syska & Hennessy  
 San Francisco, CA

Project	HAWAII CONVENTION CENTER HONOLULU, HI		
Client	TRANSPORT SYSTEMS GROUP	Drawn by	RJB
Date	4/5/95	Scale	N.T.S.
Sheet No.	16	Rev.	D

**TWO STEP ARRANGEMENT**

REV. 5/24/95 BLDG REDESIGN & RENUMBERED REV. B 5/25/95 - REVISED WIDTH, ADDED ROUGH OPENING REV. C: 6/5/95 - CORRECTED OVERALL LENGTH DIMENSION  
 REV. 7/31/95 - DELETED NO. 13; NO. 11 & 12 - RISE REVISED ADJUSTED DIMENSIONS ACCORDINGLY



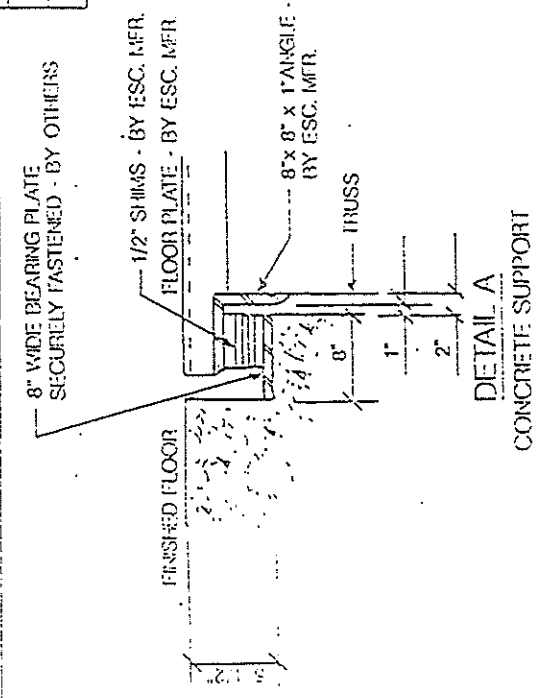
B DISTANCE BETWEEN WORKING POINTS  
C OVERALL

**WELLWAY PLAN**

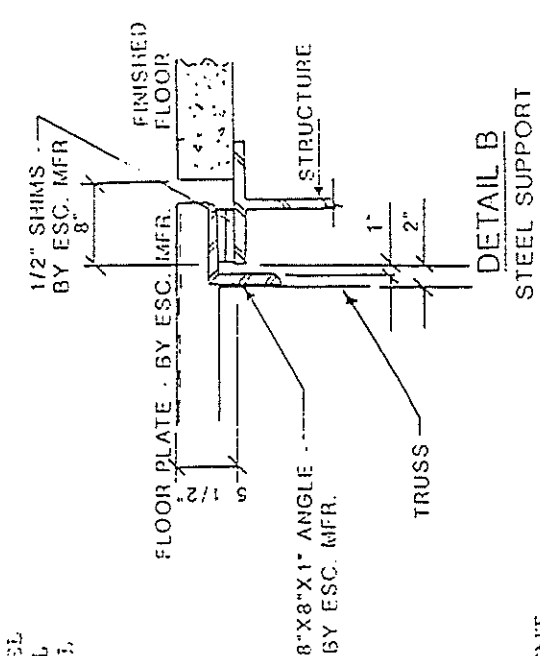
ESCALATOR NO. 10 SERVE MEETING ROOM TO BALLROOM LEVEL  
ESCALATOR NO. 11 SERVE PARKING TO MEETING ROOM LEVEL  
ESCALATOR NO. 12 SERVE INTERMEDIATE TO PARKING LEVEL

ESC No	REACTIONS - IN KIIPS		
	Ri	Rj	Ru
10	10.8	38.3	28.9
11	21.8	---	22.95
12	9.3	33.1	25.0

ESC No	RISE		
	A	B	C
10	23'-6"	59'-10"	61'-7 1/4"
11	13'-4 7/8"	23'-2 5/8"	44'-11 7/8"
12	17'-6"	30'-3 3/4"	52'-1"



**DETAIL A**  
CONCRETE SUPPORT



**DETAIL B**  
STEEL SUPPORT

**THREE STEP ARRANGEMENT**

ESCALATORS No. 10 & 12 = 48" WIDE @ 100 FPM

Syska & Hennessy  
San Francisco, CA

Project: HAWAII CONVENTION CENTER HONOLULU, HI

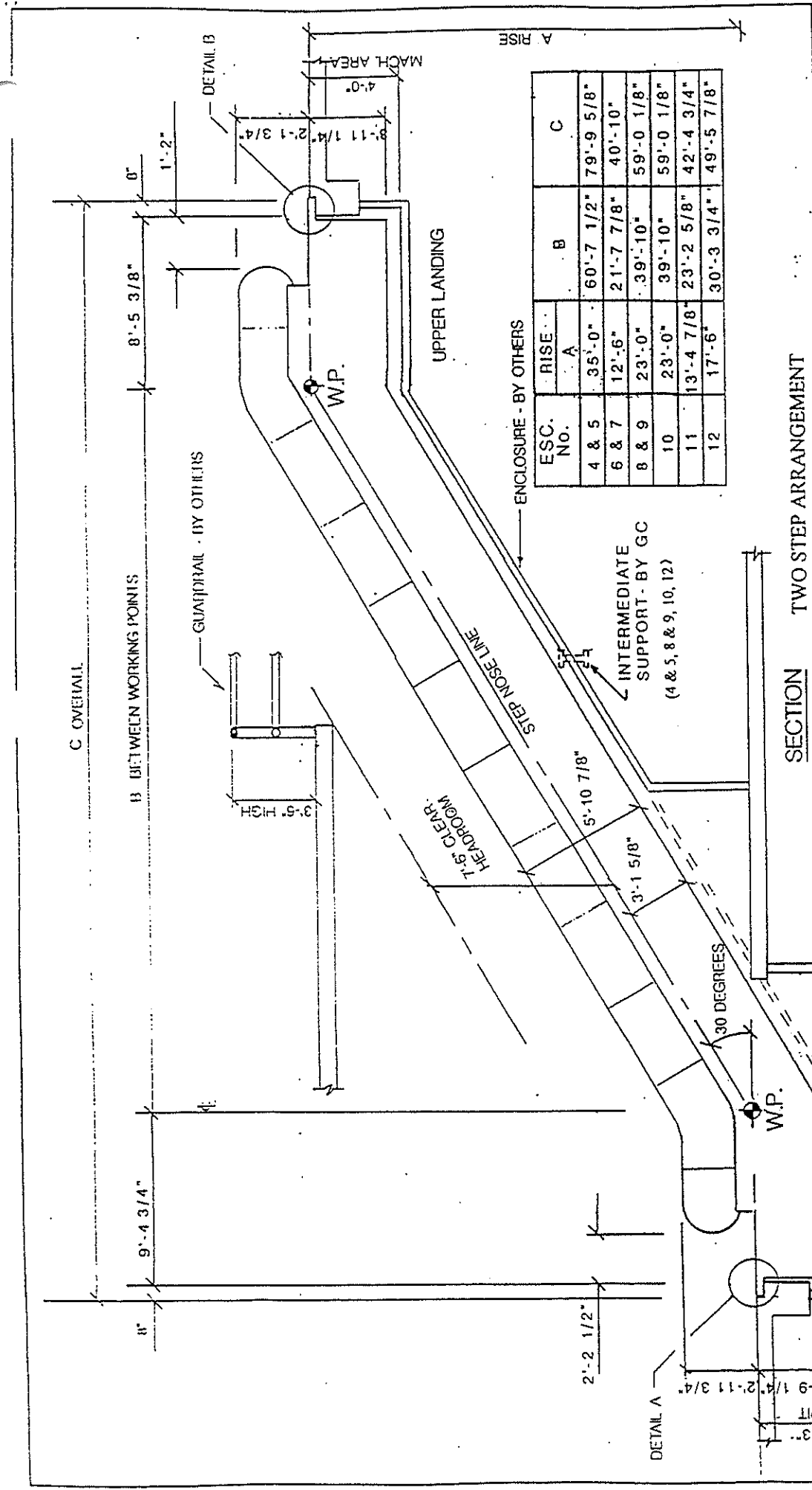
Transport Systems Group

Drawn by: RJB  
Date: 5/2/95  
Scale: N.T.S.

16A REV. D

REV. A 5/25/95. REVISED WIDTH, ADDED ROUGH OPENING. REV. B: 6/5/95. CORRECTED OVERALL LENGTH DIMENSION. REV. C: 7/31/95-ADDED ESC. NO. 12  
REV. D: 8/17/95-REVISED ESC. NO. 10 O.A. LENGTH

16  
0/16



ESC. No.	RISE A	B	C
4 & 5	35'-0"	60'-7 1/2"	79'-9 5/8"
6 & 7	12'-6"	21'-7 7/8"	40'-10"
8 & 9	23'-0"	39'-10"	59'-0 1/8"
10	23'-0"	39'-10"	59'-0 1/8"
11	13'-4 7/8"	23'-2 5/8"	42'-4 3/4"
12	17'-6"	30'-3 3/4"	49'-5 7/8"

SECTION TWO STEP ARRANGEMENT

ESCALATORS No. 4 TO 12

Syska & Hennessy  
San Francisco, CA

Project: HAWAII CONVENTION CENTER HONOLULU, HI

TRANSPORT SYSTEMS GROUP

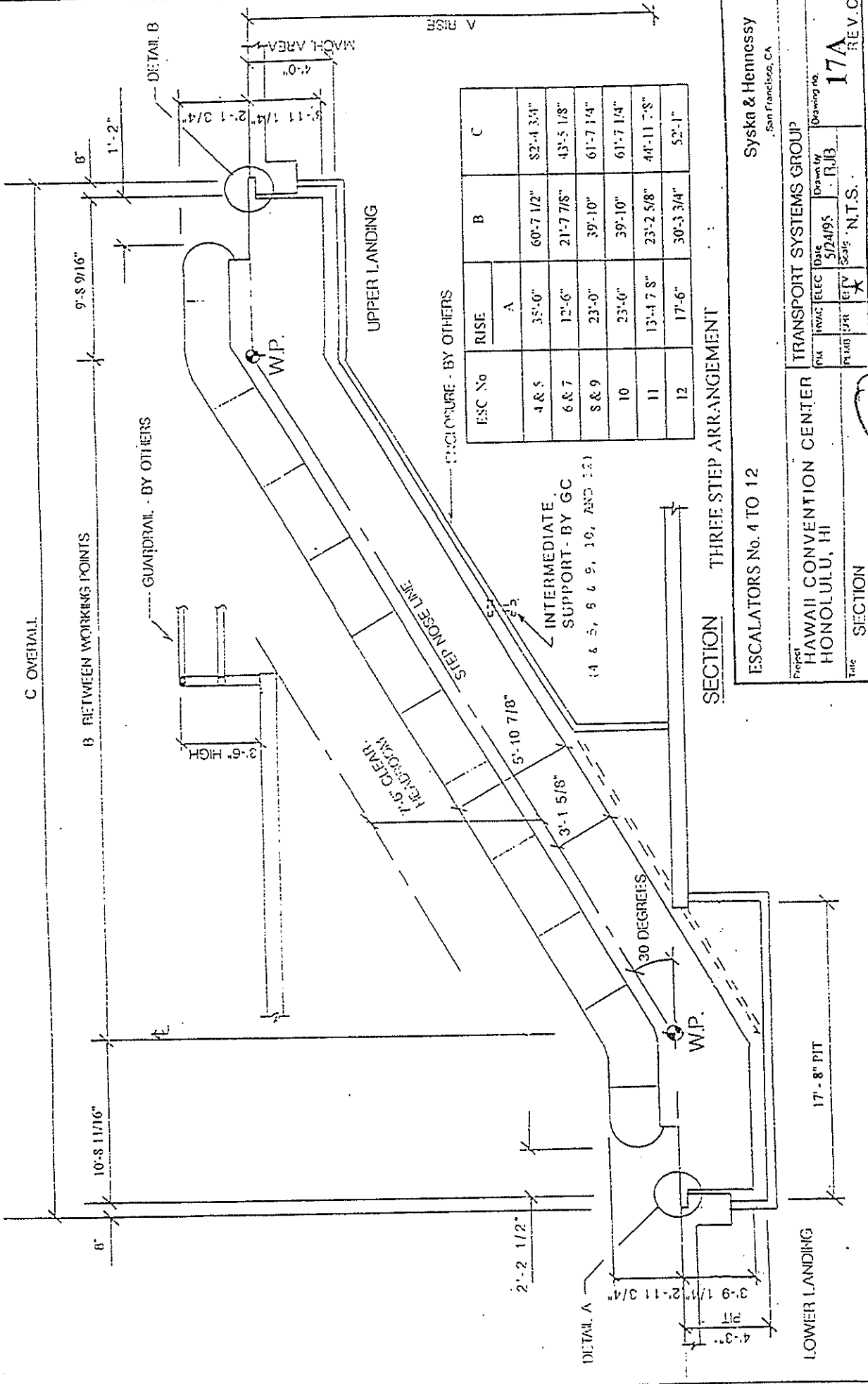
PM	HVAC/ELEC	Date	Drawn by
PLMB/SPR	ELEV	4/5/95	RJB

Scale: N.T.S.

17 REV. C

REV. A: 5/24/95 BLDG REDESIGN & RENUMBERED REV. C: 7/31/95 DELETED NO. 13. NO. 11 & 12-RISE REVISED ADJUSTED DIMENSIONS ACCORDINGLY

0/3



ESC No	RISE		
	A	B	C
4 & 5	35'-0"	60'-7 1/2"	82'-4 3/4"
6 & 7	12'-6"	21'-7 7/8"	43'-5 1/8"
8 & 9	23'-0"	39'-10"	61'-7 1/4"
10	23'-0"	39'-10"	61'-7 1/4"
11	13'-4 7/8"	23'-2 5/8"	44'-11 7/8"
12	17'-6"	30'-3 3/4"	52'-1"

SECTION THREE STEP ARRANGEMENT

ESCALATORS No. 4 TO 12

Syska & Hennessy  
San Francisco, CA

Project: HAWAII CONVENTION CENTER HONOLULU, HI

TRANSPORT SYSTEMS GROUP

Date: 5/24/95

Drawn by: RJB

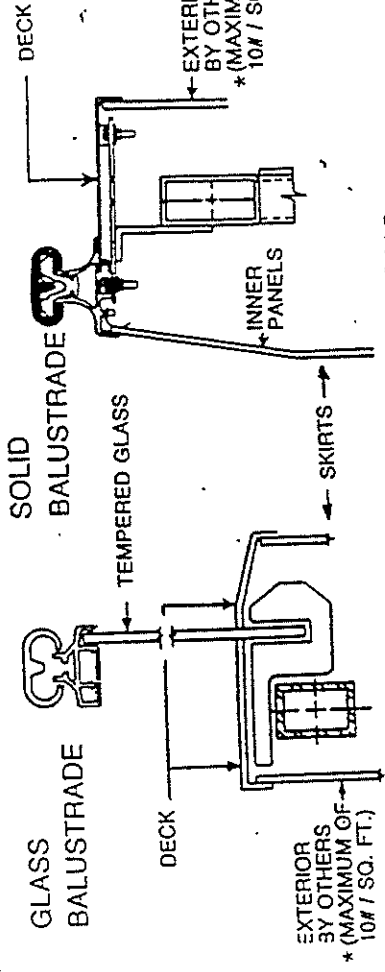
Scale: N.T.S.

Sheet: 17A

Rev: C

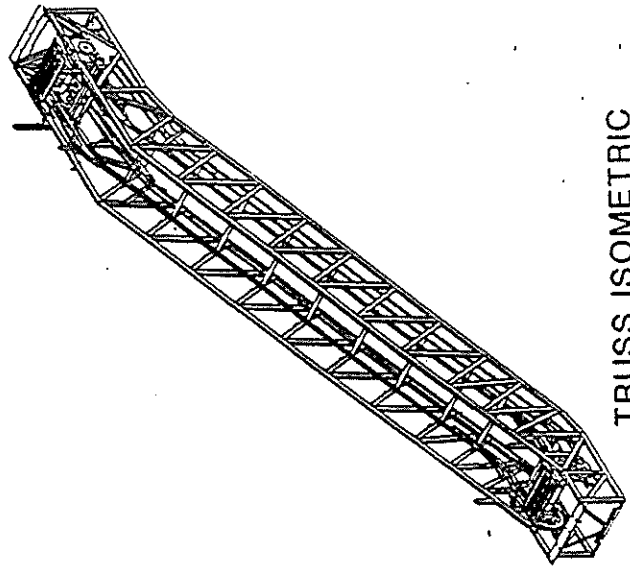
REV. A: 6/5/85 - CORRECTED OVERALL LENGTH DIMENSION REV. B: 7/31/95 - ADDED ESC. No. 12 REV. C: 8/17/95 - REVISED ESC. No. 4 TO 10 O.A. LENGTH

17A  
10

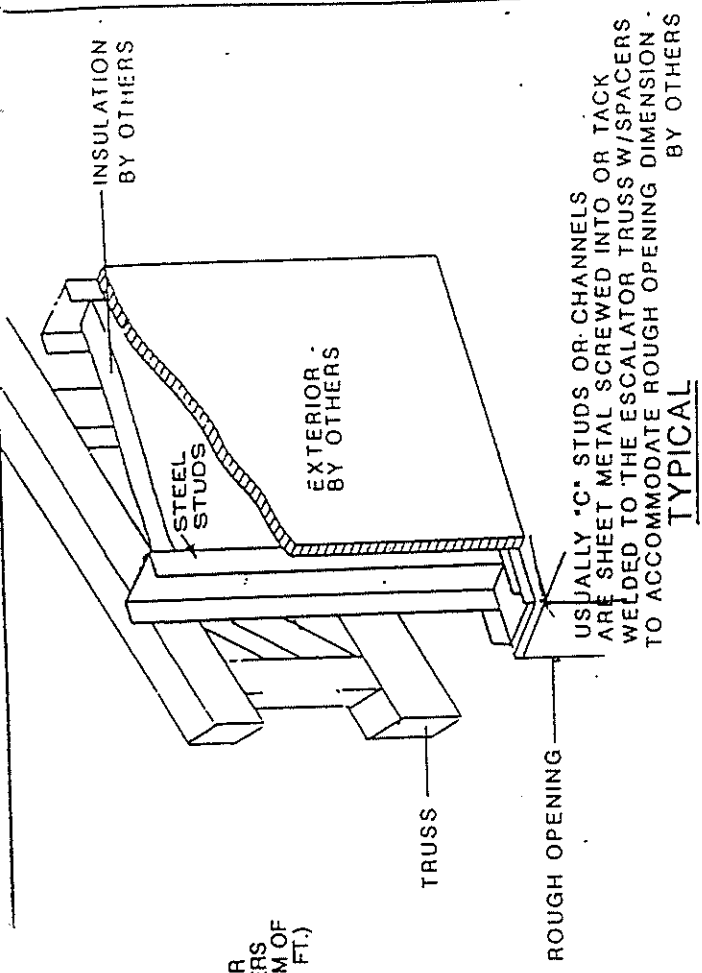


BALUSTRADE SECTIONS

\* IF ENCLOSURE IS HEAVIER THAN 10LBS/FT. ESCALATOR MFR. MUST REVIEW.



TRUSS ISOMETRIC

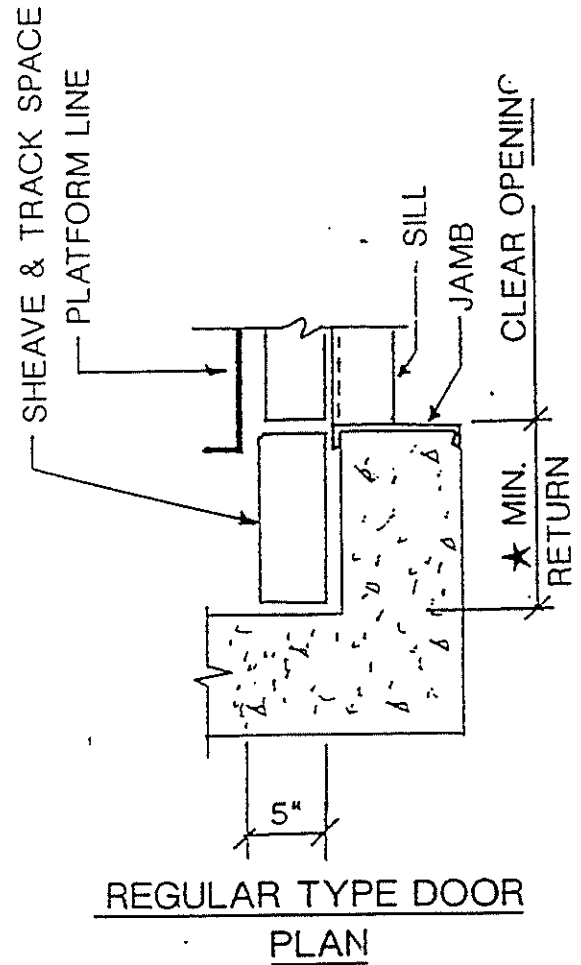
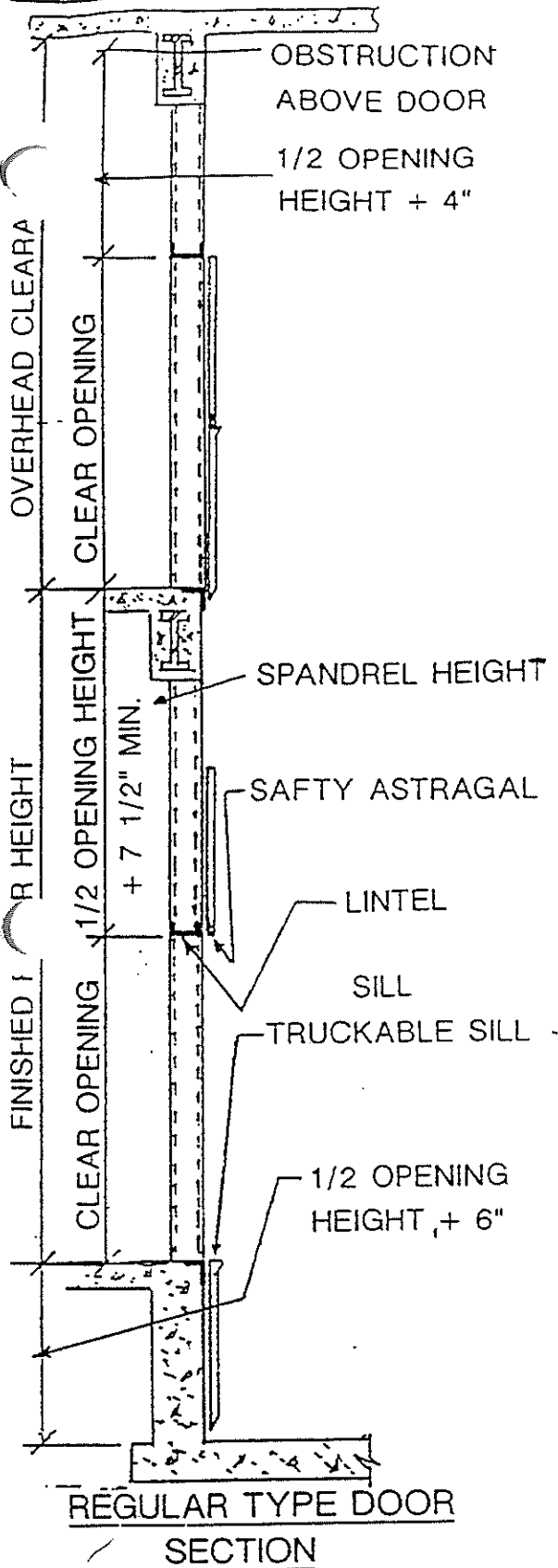


TYPICAL EXTERIOR MOUNTING

Project		HAWAII CONVENTION CENTER HONOLULU, HI		TRANSPORT SYSTEMS GROUP	
PM	HVAC ELEC	DATE	5/31/95	Drawn by	RJB
FLMB	SFR	ELEV	Scale	N.T.S.	18
Escalator Exterior Details					
Syska & Hennessy San Francisco, CA					

0/8

REV. A: 5/25/95 RENUMBERED  
 REV. B: 5/31/95 RENUMBERED



13" POWER DOORS

★ EXTEND CHANNEL JAMBS TO BUILDING BEAMS ABOVE UNLESS WALLS ARE POURED CONCRETE OR SOLID BRICK

Project HAWAII CONVENTION CENTER  
 HONOLULU, HI

TRANSPORT SYSTEMS GROUP

Title BI-PARTING DOOR DETAILS

**Syska & Hennessy**

New York • Los Angeles • San Francisco • Cambridge

PM	HVAC	ELEC	Date	Drawn by	Drawing No.
SAN	SPKR	ELEV	4/5/95	RJB	19/10
		★	Scale	N.T.S.	REV. B